



PROTEK

Wall Mounted Isolators IP65



IS4004

General Description

The sides and back of the enclosure are formed from a continuous sheet of 1.2mm thick Zintec Mild steel with dual-formed sections inserted at the top and bottom to complete the full size gland plate apertures (one of the largest on the market.)

The gland plates are manufactured from 2.0mm thick Zintec Mild steel.

The mounting plates are manufactured from 2.0mm thick Zintec Mild steel.

Mounting plates are mounted on studs with a 17mm spacer.

Doors are manufactured in Zintec Mild steel 1.5mm thick, with a neat and pleasing radius on the corners. Left or right hand Hinging is easily achieved by rotation of the enclosure.

Door locks are black polyamide with an 8mm triangular insert, complete with a plastic non-conductive key.

All enclosures & Mounting plates are vapour de-greased prior to painting and then coated with 60-80 microns of thermally - cured Polyester-based powder paint to the highest standard of finish. Colour RAL7032.

Design Features

Safety handle - when padlocked in the 'Off' position, the enclosure door cannot be opened. Capable of accepting up to three padlocks in the 'Off' position. ('On' position on request).

Door interlock handle can be defeated to enable emergency opening or for testing purposes. (Must be carried out by a competent person)

Positive contact indication through windows in Switch body.

Removable gland plates on top & bottom of all enclosures.

All isolators, fuse-switches and changeover switches are mounted on a removable galvanised chassis plate.

All Fuse Combination Switches are supplied complete with a set of fully rated fuse links.



IS4004 Interior



PROTEK

Technical Specification

			Rating (A)														
			3P	3P	6P	3P	3P	6P	3P	3P	3P	3P	3P	3P	3P		
Application	Sym.	Unit Category	32	63	63	100	125	125	160	200	250	400	630	800	1000	1250	
Rated thermal current	I _{thc}	A	32	63	63	100	125	125	160	200	270	500	630	720	1000	1250	
Rated Insulation voltage	U _i	V	690	690	690	750	750	690	750	1000	1000	1000	1000	1000	1000	1000	
Rated impulse voltage	U _{imp}	kV	6	6	4	8	8	6	12	12	12	12	12	12	8	8	
Rated operational current (AC)	I _c	A	up to 415V - AC21A	32	63	63	100	125	125	160	200	250	400	630	800	1000	1250
			440-690V - AC21A	-	-	-	100	125	-	160	200	250	400	630	800	1000	1250
			up to 415V - AC22A	-	-	-	100	125	-	160	200	250	400	630	800	1000	1250
			690V - AC22A	-	-	-	100	125	-	160	200	250	400	630	800	-	-
			up to 415V - AC23A	-	-	-	100	125	-	160	200	250	400	630	720	-	-
			690V - AC23A	-	-	-	40	50	-	63	200	250	350	350	350	-	-
Rated operational current (DC) /poles in series	I _c	A	up to 48V - DC21A	-	-	63	100/2	125/2	125	160/2	200/2	250/2	400/2	630/1	800/1	1000/1	1250/1
			220V - DC21A	-	-	-	100/3	125/3	-	160/3	200/2	250/2	400/2	630/2	800/2	1000/3	1250/3
			up to 48V - DC22A	-	-	-	100/2	125/2	-	160/2	200/2	250/2	400/1	630/1	800/1	-	-
			220V - DC22A	-	-	-	100/3	125/3	-	160/3	200/2	250/2	400/2	630/2	800/2	-	-
			up to 48V - DC23A	-	-	50/2	100/2	125/2	125/2	160/2	200/2	250/2	400/1	630/1	800/1	-	-
			220V - DC23A	-	-	15/4	100/3	125/3	20/4	160/3	200/2	250/2	400/2	630/2	630/2	-	-
Rated operational power	P _e	kW	400/415V - AC23A	15	25	30	37	45	45	45	110	132	200	315	355	400	400
			690V - AC23A	15	30	30	37	45	37	45	170	200	315	355	355	-	-
Short circuit making capacity	I _{cm}	kA	Peak value	-	-	-	3.6	3.6	-	7	35	35	65	80	80	105	105
Short circuit withstand (1 sec)	I _{ew}	kA	RMS value	0.6	1.3	1.6	2.5	2.5	2.1	5	8	8	17	17	17	50	50
Min. mechanical endurance	-	Operations	-	-	5x10 ⁶	20,000	20,000	1,000	20,000	16,000	16,000	10,000	10,000	10,000	6,000	6,000	
Min. electrical endurance	-	415V - at 0.65 pf	-	-	-	5,000	5,000	-	1,000	1,000	1,000	1,000	500	500	500	500	
Connecting capacity		- Terminal type	■	■	■	■	■	■	■	■	■	■	■	■	■	■	
		mm ² Min/Max	2.5/10	2.5/25	2x2.5/2x16	10/70	10/70	70	10/95	-	-	-	-	-	-	-	-
		mm Stud/Cu palm width	-	-	-	8x20	8x20	-	8x20	8x25	10x30	10x40	12x40	12x40	12x60	12x60	
		Nm Tightening torque	1.2	1.3	1.5	6	8	2	8	30-44	30-44	30-44	50-75	50-75	50-75	50-75	

Technical Data

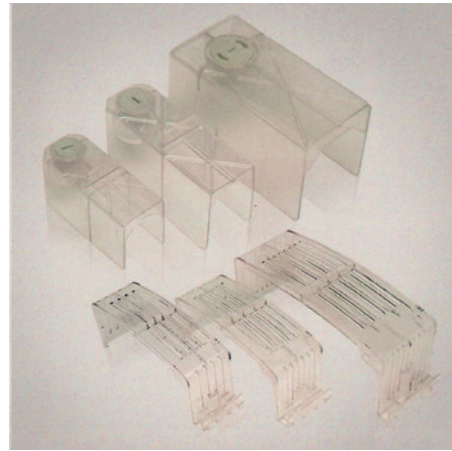
Part Number	Rating	Type	Dimensions HxWxD (mm)
IS1004	100A	Four Pole	400x400x200
IS1254	125A	Four Pole	500x500x200
IS1604	160A	Four Pole	500x500x200
IS2004	200A	Four Pole	600x500x240
IS2504	250A	Four Pole	600x500x240
IS3154	315A	Four Pole	750x600x300
IS4004	400A	Four Pole	750x600x300
IS6304	630A	Four Pole	1000x600x300



Terminal covers:-

The unit comes supplied with three terminal covers for shielding the incoming supply.

Terminal Cover	Rating
STS1	100A -160A
STS2	200A -400A
STS3	630A

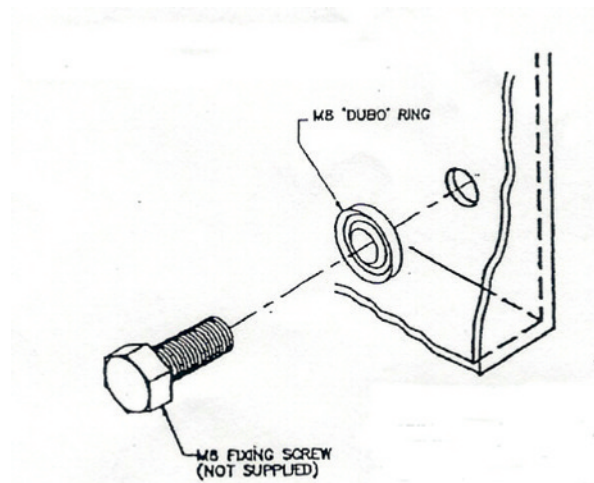


Terminal Shields & fuse Covers

Mounting unit to wall

Four M8 fixing bolts of a suitable length are required to fasten the enclosure to a flat wall.

To ensure IP65 integrity please use M8 'Dubo' rings supplied and insert as per sketch.



Auxiliary contacts



All auxiliary contacts are supplied as 1N/O + 1 N/C pair.

Rating A	63*	100-160	200-250**	400-800	1000-1250**
Part No.	SAUXCO	SAUXKITA	SAUXKITB	SAUXKITC	SAUXKITD

* See Page 4 **Ratings shown on image left

N.B. All N/O contacts are early break when switching to the 'Off' position. For additional contacts or details regarding Changeover Switch Disconnectors please contact our technical sales team.

Electrical ratings for Auxiliary blocks used in SAUXKITB & SAUXKITC
 Thermal rating (I) 660V a.c. or d.c.
 Switching capacity AC15: 6.0A at 120V, 4.0A at 250V, 2.0A at 660V

DC13: 1.0A at 120V, 0.5A at 240V, 0.1A at 660V

Electrical Rating (BS EN 60947-1)
 Rated thermal current I_n - 10A AC ratings (inductive A600)
 Rated Insulation voltage U_i - 500V 240V - Make 30A, Break 3A
 Utilisation Category AC15 (DC13) 480V - Make 15A, Break 1.5A



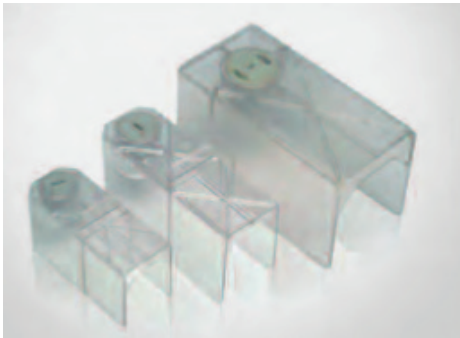
Safety Features



All handles will accept up to three padlocks in the OFF position.

It is recommended that a hasp diameter of 6.4 mm is used.

Handles lockable in the ON position are also available. Contact sales office for prices.



Terminal Covers

Terminal protection is provided on all items for live incoming terminals; spare terminal covers are available for replacement or extending the protection

Auxiliary contacts

Data supplied against test to IEC/BS 60947-5-1

Application	Sym.	Unit	Rating	
Rated Insulation Voltage	U_i	V	690	
Rated Thermal Current	I_t	A	10	
Rated operational current (AC15)	L	A	110V	8
			220 - 240V	8
			380 - 400V	3
			660 - 690V	1
Max. conductor size	-	mm ²	1.5	
Tightening Torque	-	Nm	0.6	

phone **01543 46 75 75**

fax **01543 46 23 70**

email **sales@protekuk.co.uk**

